

WE CLEAN THE AIR.



EXHAUST HOODS / NOZZLE PLATES

CONSTRUCTION

Nozzle plates are constructed by solid welding and completely folded sheet steel. They are prepared to mount welder protection curtains (accessory).

Contain integrated exhaust nozzles and flange connections.
Paint Finish RAL 7035 light grey.

As an example, mounting of the nozzle plates takes effect by means of thread rods top or by means of support down.

ADVANTAGES

- simple and light steel construction
- flat and therefore space-saving
- cost-efficient
- low weight
- easy installation
- efficient and high-performance by nozzle technology
- easy to install attachments of welding curtains available as an option

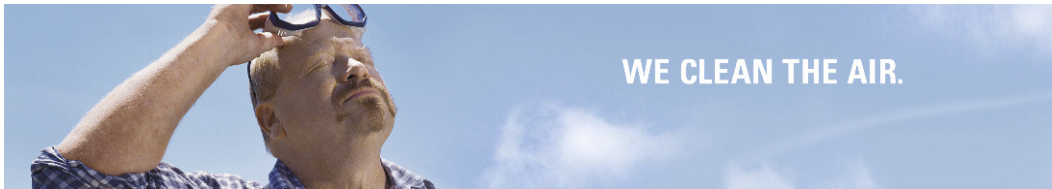
Suction velocity below the hood area (depending on local conditions: application, cross flow, fume quantity, etc.) is between 20 fpm and 200 fpm. This is to be individually designed for on site.

VERSIONS

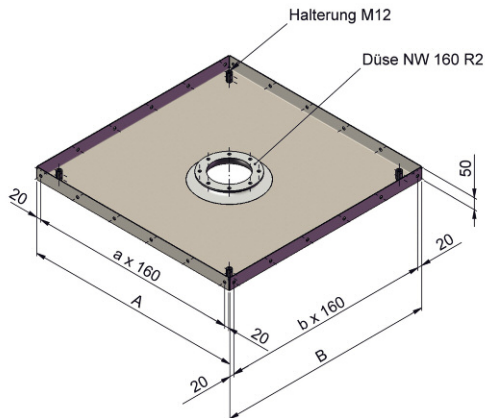
The nozzle is very versatile and a variety of configurations are possible.

For example, the nozzle hood can be placed on rails to allow free access during use of overhead cranes for loading/unloading procedures.

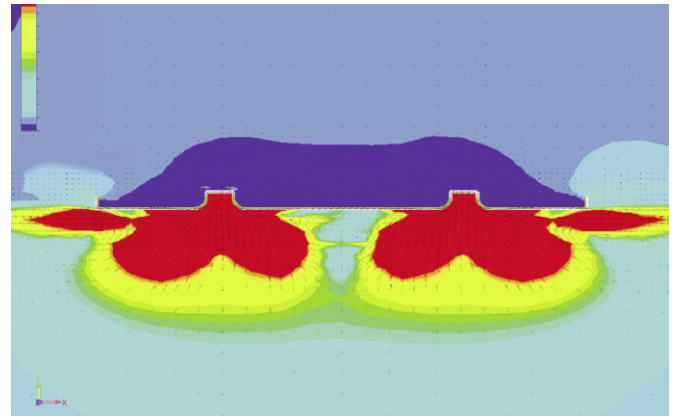




TECHNICAL DATA



AIR FLOW SIMULATIONS



| Nozzles | | | 840 x 840 | 1800 x 840 | 2760 x 840 | 3840 x 840 |
|--------------------------|------------|-------------------|-------------|-------------|-------------|-------------|
| Area | | m ² | 0,71 | 1,51 | 2,32 | 3,23 |
| Nozzles | | pcs. NW | 1 160 R2 | 2 160 R2 | 3 160 R2 | 4 160 R2 |
| Air volume ¹⁾ | at 0,1 m/s | m ³ /h | 254 | 544 | 835 | 1161 |
| | at 0,3 m/s | m ³ /h | 762 | 1633 | 2504 | 3484 |
| | at 0,5 m/s | m ³ /h | 1270 | 2722 | 4173 | 5806 |
| Width | A | mm | 840 | 840 | 840 | 840 |
| Length | B | mm | 840 | 1800 | 2760 | 3840 |
| Sheet metal | | mm | 2 | 2 | 2 | 2 |
| Weight | | kg | 13 | 27 | 41 | 57 |

¹⁾ The airflow requirement depends on the application as well as the ambience.

REFERENCES

Audi, Neckarsulm, Germany
 Erhard Automotive, Schwäbisch Gmünd, Germany
 Intier (Magna), Tschechien
 Jakob, Ennepedal, Germany
 Keller Lufttechnik, Kirchheim Teck, Germany
 Komline Sanderson, USA
 Kuka, Augsburg, Germany
 Zehnder, Lahr, Germany



Keller Lufttechnik GmbH + Co. KG
 Neue Weilheimer Str. 30
 73230 Kirchheim unter Teck
 Fon +49 7021 574-0 · Fax 52430
 www.keller-lufttechnik.de